



Series NS-NSM

- ▶ Absolute rotary encoder with shaft
- ▶ Available in single-turn and multi-turn
- ▶ Profinet
- ▶ Accessories from page 70

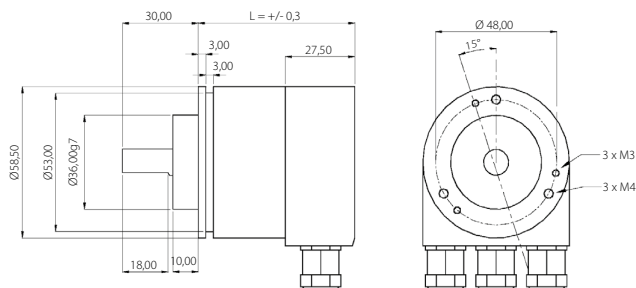
Electrical specifications

Supply voltage:	10-30 V +/- 5%
Power:	max. 4 watt
Interface:	Ethernet
Protocol:	ProfiNet (NRT, RT, IRT)
Transfer rate:	100 MBit/s
Cycle time	<= 1 ms (IRT); <= 10 ms (RT)
Resolution:	Single-turn 16-bit Multi-turn 30-bit (16-bit single-turn - 14-bit multi-turn)
Linearity	+/- 2 LSB x 16-bit, 1 LSB x 14-bit +/- 1/2 LSB 12-bit
Output code:	Binary
Programmability:	Resolution turn Resolution total Preset
Terminating resistor:	adjustable with DIP switches
Operating temperature:	Standard -10°C... +60°C Option R -40°C... +85°C

Mechanical specifications

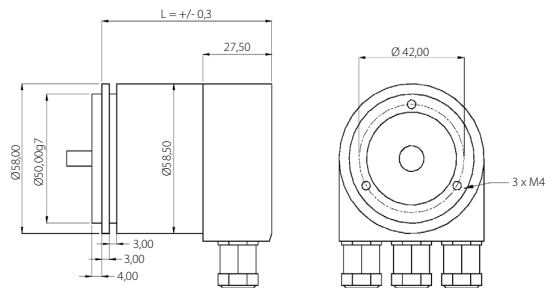
Housing:	Aluminium
Flange:	Aluminium
Shaft:	stainless steel
Bearing:	2 ball bearings
Weight:	400 g
Protection type:	IP 67
Max. speed:	6000 U/min
Torque:	< 0.5 Ncm
Moment of inertia:	20 g/cm ²
Max. shaft load:	axial 20 N - Rad 40 N axial 40 N - Rad 60 N

Mechanical dimensions



Flange H

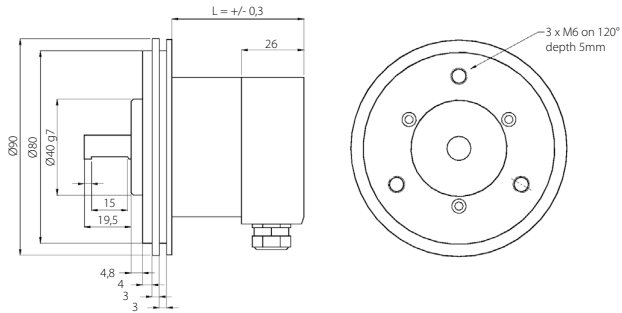
Single-turn *L = 69.00
Multi-turn *L = 80.00



Flange 3

Single-turn *L = 69.00
Multi-turn *L = 80.00

Mechanical dimensions



Flange T

Single-turn *L = 69.00

Multi-turn *L = 80.00

Order reference

